

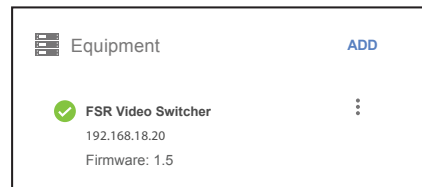
FSR DV-HDSS-41-Tx

Video Switcher



The FSR DV-HDSS-41-Tx scaling video switcher can be controlled with Mira Connect™, Aveo Systems' smart control appliance. The FSR DV-HDSS-41-Tx is a compact all-in-one solution for small collaboration and huddle areas.

To integrate the FSR DV-HDSS-41-Tx with Mira Connect, add the FSR DV-HDSS-41-Tx to the room in Mira Portal (<https://mira.aveosystems.com>), enter the IP address of the GlobalCache IP2SL and press 'add equipment'. Mira Connect will attempt to connect to the FSR device and, if the IP address is valid and the baud rate of the IP2SL matches the FSR device, Mira Portal will show the equipment status as a green circle once the FSR device has been validated on the network.



Important information about the integration is summarized below.

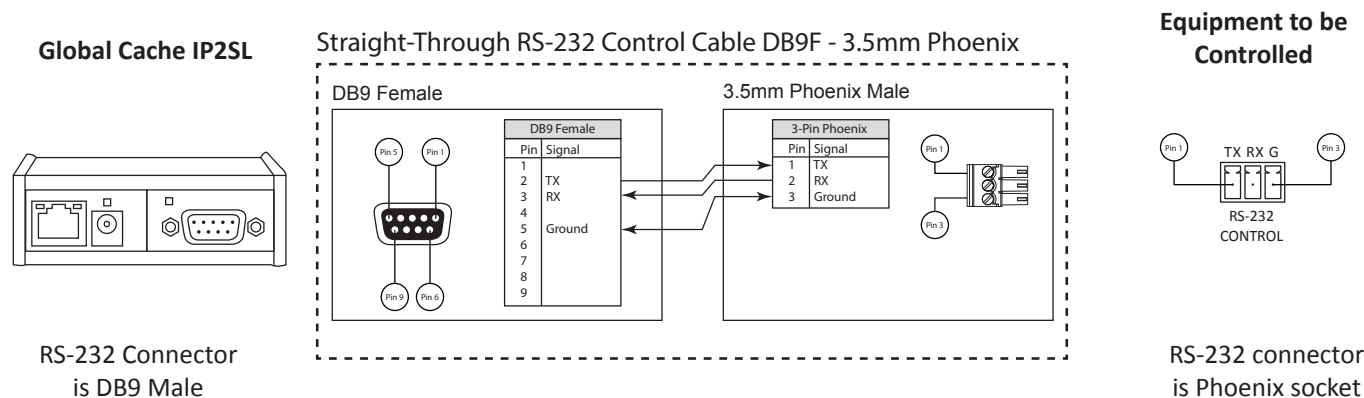
Control Interface

The FSR DV-HDSS-41-Tx is controlled via an RS-232 connection and requires a GlobalCache IP2SL (IP to serial) interface.

Enter the IP address of the GlobalCache IP2SL interface as the IP address of the FSR DV-HDSS-41-Tx in Mira Portal. Port 4999 will be used for control.

The GlobalCache IP2SL (part number 151.0010.001) is available as an accessory from Aveo Systems.

Ensure the baud rate on the GlobalCache IP2SL matches the baud rate configured on the FSR DV-HDSS-41-Tx device. Default RS-232 settings for the FSR DV-HDSS-41-Tx are 57,600 baud, 8 data bits, no parity, 1 stop bit, no flow control. Use a straight-through RS-232 cable that you provide as shown in the following figure.



Software Versions

Tested with device firmware v1.5

Update Equipment

Equipment Type* FSR Video Switcher Model* DV-HDSS-41-TX Simulate equipment

CONNECTION VIDEO INPUTS

DisplayPort

Input	Icon	Label	Description (Optional)
<input checked="" type="checkbox"/> HDMI 1	Laptop icon	LAPTOP	Content Sharing
<input checked="" type="checkbox"/> HDMI 2	TV icon	TELEVISION	TV Tuner
<input checked="" type="checkbox"/> VGA	VGA icon	VGA COMPUTER	

Menu Preview

This menu will appear on Mira Connect. If you have more than one display, enter a name for each. Drag items to change order. The first item is the default selected input.

Display Name (Optional)

Select source:

- LAPTOP Content Sharing
- TELEVISION TV Tuner
- VGA COMPUTER

CANCEL UPDATE EQUIPMENT

On the Mira Portal Video Inputs tab, enable the desired inputs on the video switcher, and enter labels and optional descriptions, to create the video display menu for source selection.

For more information please contact our Sales Department at sales@aveosystems.com.

About Aveo Systems

Aveo Systems is a leading provider of intuitive and easy-to-use solutions for audio, video, and collaboration, improving how systems are used and managed by customers world-wide.

